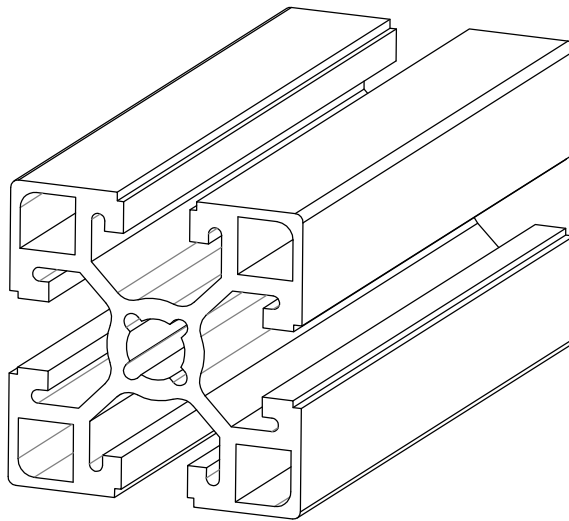
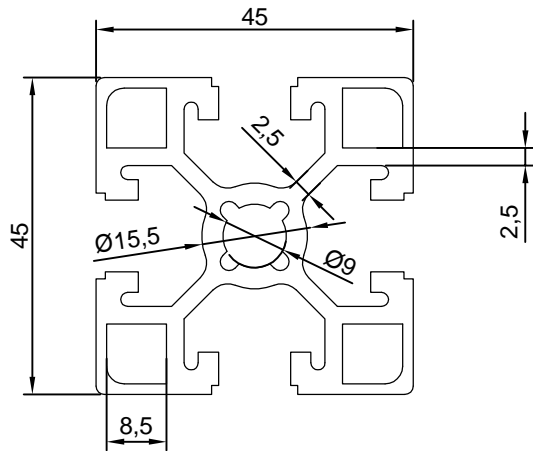


Date	Number	Form Cod



REV	DESCRIPTION					DATE	APVD
	Designed by	Checked by	Approved by - date	Edition	Date	VYMAND	
	Eslami Fard			1	98/05/28		
	PROFILE 45X45H-CIRCLE			material	dimension	Scale	STD: ISO
				DRAWING_NUMBER: 45X45			
Qty:	Weight:	Tol:					