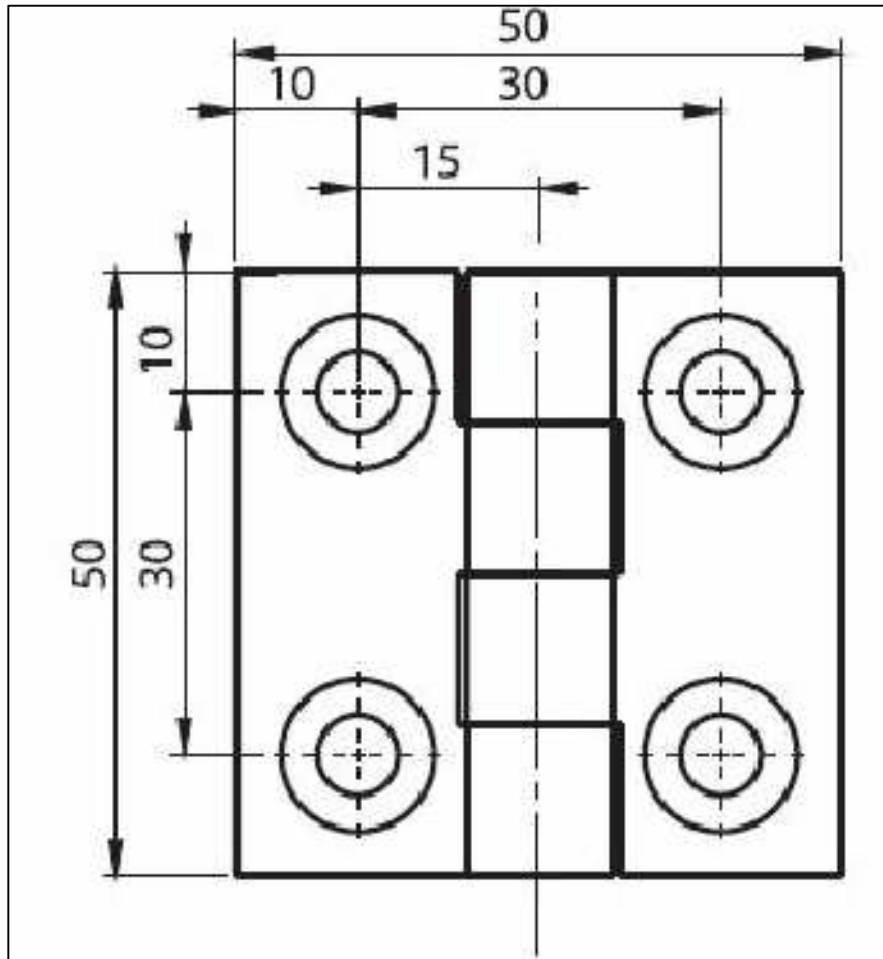




Date	Number	Form Cod



REV	DESCRIPTION					DATE	APVD
	Designed by	Checked by	Approved by - date	Edition	Date	VYMAND	
	Eslami Fard			1			
	LEAFHINGE50X50			material	dimension	Scale	 STD: ISO
DRAWING_NUMBER:			Zamak	MM	1:1		
Qty:	Weight:	Tol:					
1		±0.05					