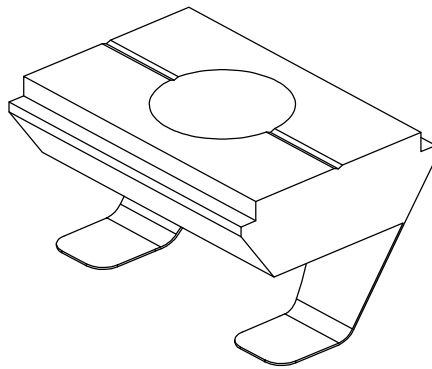
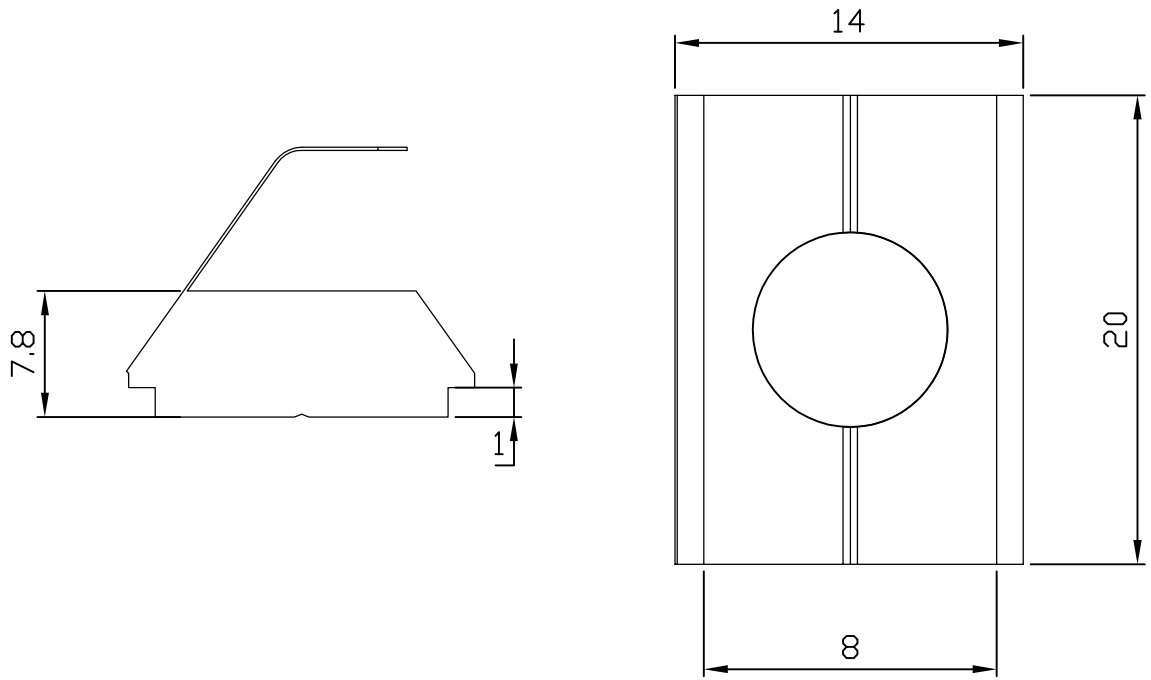


Date	Number	Form Cod



REV	DESCRIPTION					DATE	APVD
	Designed by	Checked by	Approved by - date	Edition	Date	VYMAND	
	Eslami Fard			1	96/09/28		
	LEAFSPRINGNUT SLOT8			material	dimension		Scale
				Steel	MM	1:1	STD: ISO
	Qty:	Weight:	Tol:	DRAWING_NUMBER: LEAF-SPRING-SLOT8			